



CLEANEDGE

L I G H T I N G

24/7

Protected against
viruses and bacteria.

LEDs
kill the virus!

WORLD'S FIRST SUPER STERILIZATION LIGHTING (24/7) Clean Edge is an innovative lighting product that adds continuity to the disinfection process. The LED lighting fixtures emit light with a wavelength of 405 nm (not harmful like UV). In this way, Clean Edge provides a solution that strengthens your efforts to disinfect your environment and prevent existing infections.

- ✔ Clean Edge is harmless to humans and animals (IEC 62471 certified).
- ✔ Clean Edge kills 99.99% of harmful bacteria and viruses, including COVID-19!
- ✔ Clean Edge protects you 24/7 against harmful viruses and bacteria.
- ✔ A Clean Edge LED panel protects an area up to 24 square feet viruses and bacteria.
- ✔ Clean Edge is easy to install and has no less than 50,000 burning hours.
- ✔ Proven technology according to TNO.

Safe and effective The advanced technology of the Clean Edge ensures a sterilized environment all day long. And because the Clean Edge is above the UV light spectrum, this solution, unlike UV-A / B / C, is not harmful to humans and animals. Switch on the LED panel and an area of up to 24 square meters (per LED panel) is continuously sterilized. Day and night!

Widely applicable Clean Edge gives a new dimension to the "New Normal". With Clean Edge you create a safe (work) environment. Clean Edge is wide employable: healthcare, education, laboratories, offices, gyms, airports and much more. Get to know Clean Edge for a healthy (work) environment.

VIRUS AND BACTIER KILLER

The renowned Korea Conformity Laboratories (KLC) has tested the Clean Edge on Escherichia coli, Staphylococcus aureus, Klebsiella pneumoniae and MRSA (Staphylococcus aureus subsp). In addition, the effectiveness of Clean Edge was tested by KR Biotech (Institute of Infection Disease Control) in September 2020 for COVID-19 (SARS-CoV-2). A 99.16% virucidal effect was achieved on COVID-19 over a period of 120 minutes.

Escherichia coli



Photo 1a: 0 H

Staphylococcus aureus



Photo 2a: 0 H

Klebsiella pneumoniae



Photo 3a: 0 H

MRSA (Staphylococcus aureus subsp)

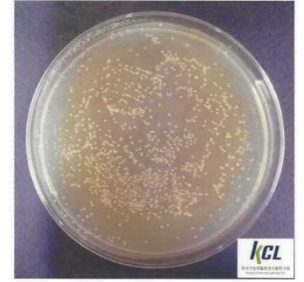


Photo 4a: 0 H



Photo 1b: 9 H

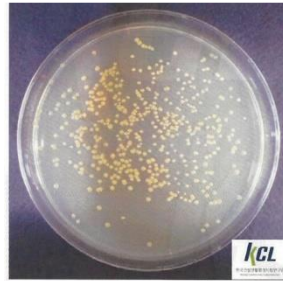


Photo 2b: 9 H

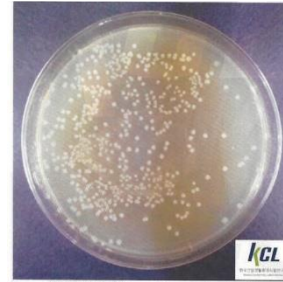


Photo 3b: 9 H



Photo 4b: 9 H



Photo 1c: 24 H



Photo 2c: 24 H

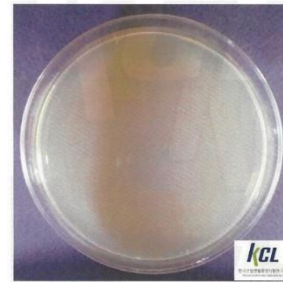


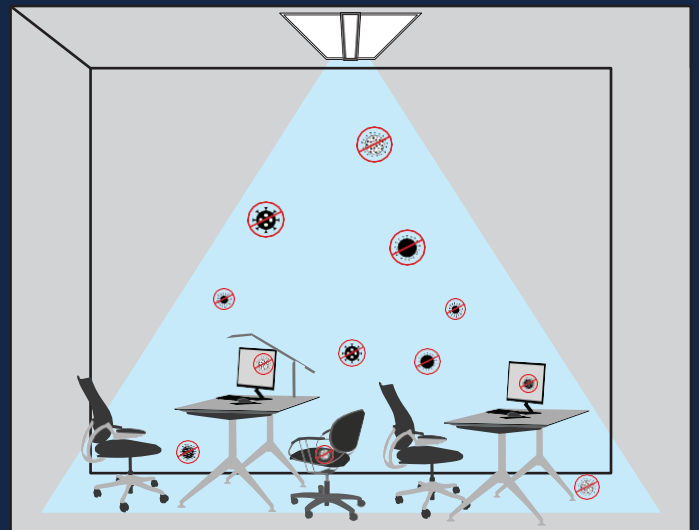
Photo 3c: 24 H



Photo 4c: 24 H

SAFE AND EFFECTIVE

The Clean Edge is "Fusion Lighting" that combines sterilization light with general light in a wavelength band of 405 nanometers. The light focuses on naturally occurring molecules (porphyrins) found in bacteria. These molecules absorb the light and start producing reactive oxygen components (ROS) in the cell. In this way, the Clean Edge ensures a sterilized environment all day (24/7). Moreover, the Clean Edge is not harmful to humans and animals.



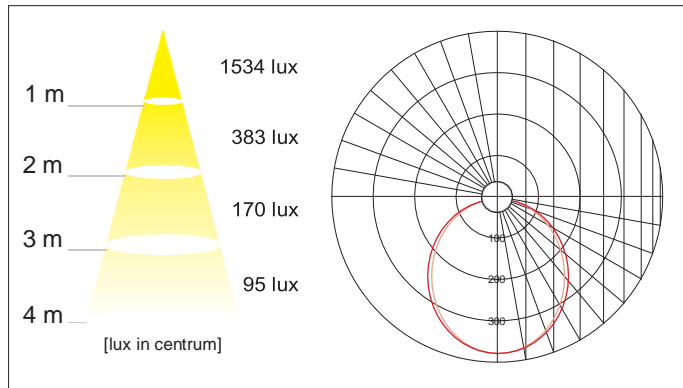
TECHNICAL SPECIFICATIONS

Light gradient

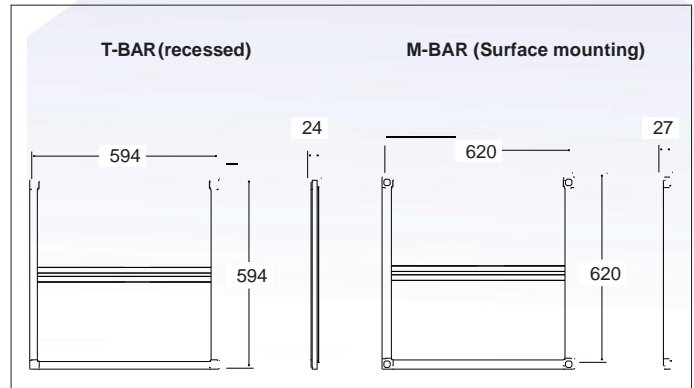
S-RLP3029-50-C001 / S-RLP3029-40-C001 / S-RLP3029-30-C001

(Excluding sterilization lamps)

Clean Edge 29.5 W + 28.5 W (5,000 K / 4,000 K / 3,000 K)



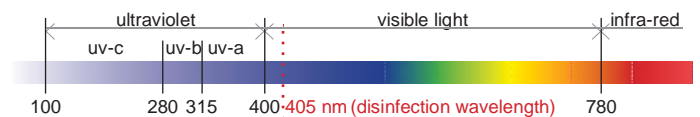
Dimensions Clean Edge



Wavelength specific sterilization method

Type	UV-C	UV-B	UV-A	405 nm
Porphyrin reaction decomposition	X	X	X	O
Direct sterilization	O	□	X	X
Characteristics	Harmful to the human body		No negative impact on people	

Visible light (non-contact sterilization)



Modelinformatie

Modelnumber	Installation	Power (W)	Luminous flux (lm)	CCT (K)	CRI (Ra)	Dimensions (mm)	weight (kg)	Input voltage (VAC / Hz)
S-RLP3029-50-C002	T-BAR	29,5 W + 28,5 W (2ch / 1ch)	≥ 4,100	5.700	≥ 80	L 594 x W 594 x H 24	3,5	AC 200-250 50/60
S-RLP3029-40-C002	T-BAR	29,5 W + 28,5 W (2ch / 1ch)	≥ 4,100	4.500	≥ 80	L 594 x W 594 x H 24	3,5	AC 200-250 50/60
S-RLP3029-30-C002	T-BAR	29,5 W + 28,5 W (2ch / 1ch)	≥ 4,100	3.500	≥ 80	L 594 x W 594 x H 24	3,5	AC 200-250 50/60
S-RLP3029-50-C001	M-BAR	29,5 W + 28,5 W (2ch / 1ch)	≥ 4,100	5.700	≥ 80	L 620 x W 620 x H 27	3,85	AC 200-250 50/60
S-RLP3029-40-C001	M-BAR	29,5 W + 28,5 W (2ch / 1ch)	≥ 4,100	4.500	≥ 80	L 620 x W 620 x H 27	3,85	AC 200-250 50/60
S-RLP3029-30-C001	M-BAR	29,5 W + 28,5 W (2ch / 1ch)	≥ 4,100	3.500	≥ 80	L 620 x W 620 x H 27	3,85	AC 200-250 50/60

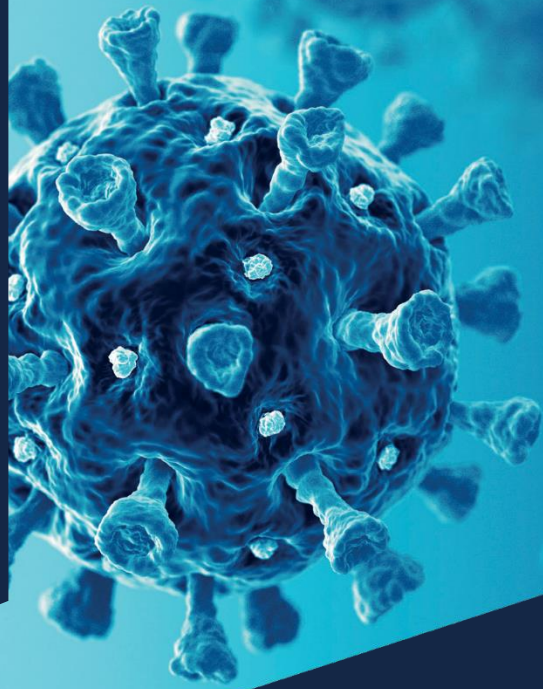
COMPARISON DISINFECTORS

Cleed Edge is a proven solution that kills 99.99% of harmful viruses and bacteria. Clean Edge not only kills MRSA and C.diff, but also ESKAPE pathogens (Enterococcus Faecalis, Klebsiella Pneumoniae, Acinetobacter Baumannii, Pseudomonas Aeruginosa, Enterobacter Sppecies), Aspergillus Niger, E. Coli, Salmonella Enteritidis and COVID-19. This makes the Clean Edge versatile: healthcare, education, laboratories, offices, gyms, airports and much more.

	Easy to operate	Disinfection	Safe for humans	Disinfects hard surfaces	Disinfects soft surfaces	Disinfects air
Gloves and masks	✓	EPISODIC	✓	✗	✗	✗
Hand hygiene	✓	EPISODIC	✓	✗	✗	✗
Clean with bleach	✓	EPISODIC	✗ / ✓	✓	✓	✗
UV robot	✗	EPISODIC	✗	✓	✓	✗
Air filters	✓	EPISODIC	✓	✗	✗	✓
Clean Edge	✓	CONTINUOUS	✓	✓	✓	✓

24/7

Protected against
viruses and bacteria.



LEDs

kill the virus!

MORE INFORMATION?

Would you like to know what Clean Edge can mean for your organization or company? Then contact one of our Clean-Edge specialists. Call +31(0) 640586017 or send an email to mark@susteco.eu.